

PLATE SCHEDULE
 P-1 BASE DECK
 P-2 UPPER DECK
 F-1 FLATS

NOTES FOR ALL PLATES AND CONSTRUCTION:

1. UNLESS OTHERWISE SPECIFIED, GLUE MUST BE USED ON ALL JOINTS AND CONNECTIONS
2. UNLESS OTHERWISE SPECIFIED, CARPENTER MAY CHOOSE FASTENER TYPES.
3. STEP FACINGS SHALL BE INSTALLED AFTER CARRIAGE AND PLATS ARE IN PLACE.

NOTES FOR ALL PLATFORM CONSTRUCTION:

1. GLUE MUST BE USED ON ALL JOINTS AND CONNECTIONS IN PLATFORM CONSTRUCTION
2. UNLESS OTHERWISE SPECIFIED, CARPENTER MAY CHOOSE FASTENER TYPES.
3. BANDING SHOULD BE AT LEAST 1-1/2" WIDTH MINIMUM, SPACE 2" FROM FLOOR.
4. ALL LEGS OF 2'-6" HEIGHT (50") MUST BE BOLTED USING A MINIMUM OF 3/8" BOLTS.
5. WHEN PLATFORMS ARE JOINED AND LEGS ARE BOLTED, USE OF FLATHEAD BOLTS ARE REQUIRED.
6. ALL BOLTS CONNECTING PLATFORMS SHALL BE AT LEAST 3/8", GRADE 2 BOLTS, WITH WASHERS ON EACH SIDE OF CONNECTION.
7. ALL FACINGS MUST BE ATTACHED WITH A MINIMUM OF 1 1/4" #2 DRYWALL SCREWS SPACED ON 8" CENTERS. DO NOT GLUE FACINGS. DO NOT USE STAPLES TO ATTACH FACINGS.
8. ALL JOINTS IN FACINGS MUST BE FILLED VIA BONDO OR OTHER TD APPROVED FILLER.
9. ALL JOINTS ON FACINGS MUST BE MITERED.
10. ALL ACTING ESCAPE LEVELS ABOVE 1'-6" (18") MUST HAVE GARD RAILS AS DETAILED ON LEVELS AS DETAILED ON PLATE P2 AND P3
11. ALL ONSTAGE PLATFORM LEVELS MUST HAVE A TOE STRIP (3/4" X 5/4") INSTALLED ON THE EDGES.
12. SEE P3 FOR DETAILS ON CARRIAGE ATTACHMENTS
13. ALL PLATFORM SURFACES MUST HAVE HOLES FILLED AND NO FASTENERS PROTRUDING ABOVE LEVEL
14. CUT ALL LIDS AND THEN FRAME MATERIALS TO LID. (EXCLUDES ANY STEEL WORK)

NOTES FOR ALL FLAT CONSTRUCTION:

1. GLUE MUST BE USED ON ALL CONNECTIONS IN FLATS, REGARDLESS OF ORIENTATION.
2. ALL FLATS MUST BE ASSEMBLED USING STAPLES. USE OF SCREWS IS NOT ALLOWED.
3. ORIENTATION OF GRAIN ON ALL CORNERBLOCKS AND KEYSONES IS ESSENTIAL.
4. HARD COVER ALL FLATS. NOTE BENE MATCH LINES FOR LAJAN
5. ANY DOUBLE SIDED FLAT SHOULD BE CORRELATED FASTENED AT ALL FRAME POINTS
6. DOOR OPENINGS RECEIVE STANDARD 1-1/2" SLAM STRIP. HARDWARE NEEDS TO BE PRACTICAL.
7. SEE DESIGNER DRAWINGS FOR DETAILS ON DOOR OPENINGS WITHOUT DOORS
8. ALL SEAMS ON WALLS MUST BE BONDO FILLED, OR FILLED WITH A TD APPROVED ALTERNATE
9. UNLESS OTHERWISE INDICATED, ALL ELEVATIONS ARE FRONT ELEVATIONS OF THE FLATS

These drawings are instruments of service and as such remain the property of the creator. No copies or reproductions are permitted without the consent of the creator. Copyright (C) 2019

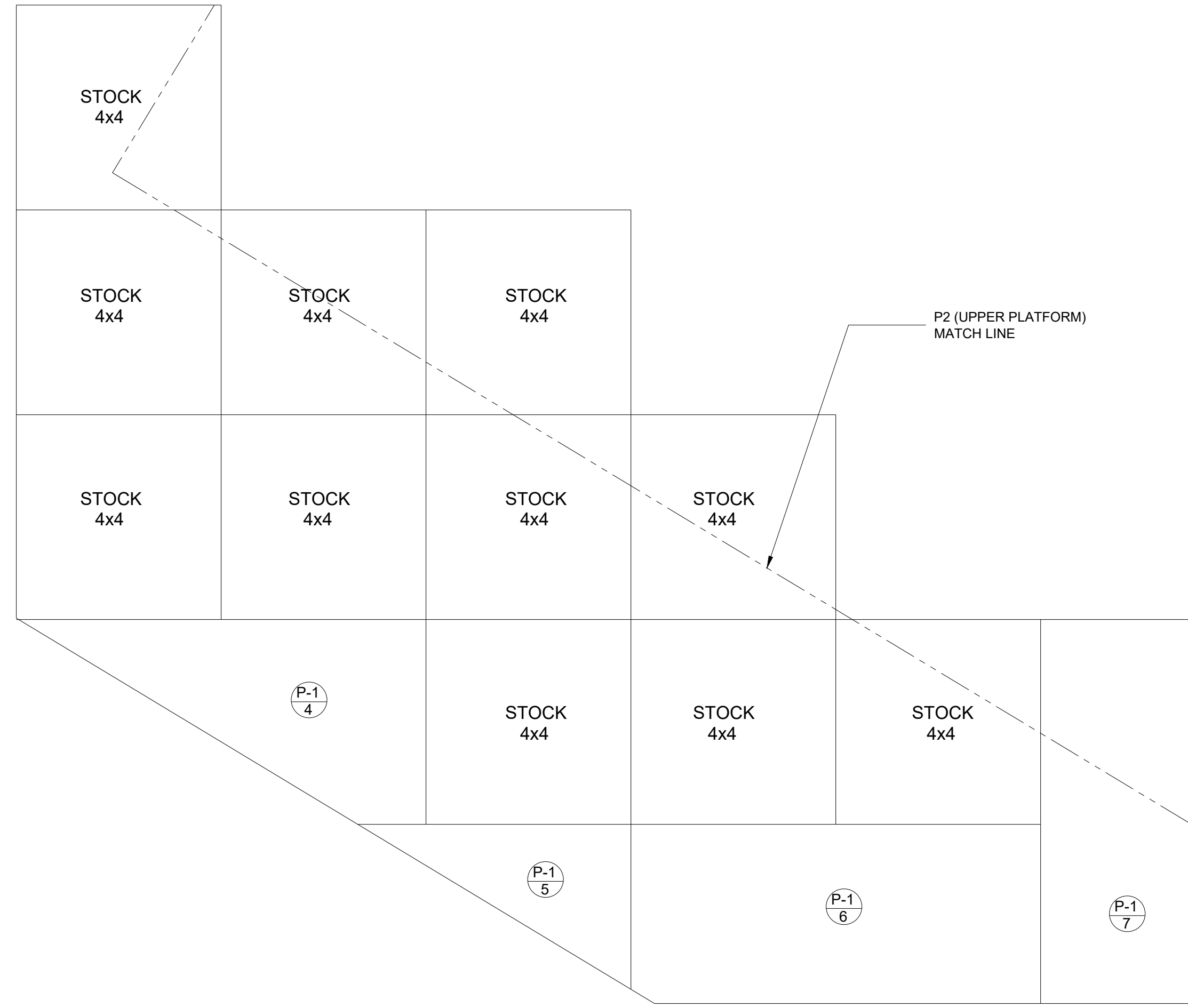
FLORIDA ATLANTIC UNIVERSITY
 777 GLADES ROAD
 BOCA RATON, FL 33431
 PHONE: (561)297-3810, TD: (561)715-9898
 FAX: (561)297-0611

MARK	DATE	REVISIONS/ISSUES
1		
2		
3		
4		
5		
6		
7		

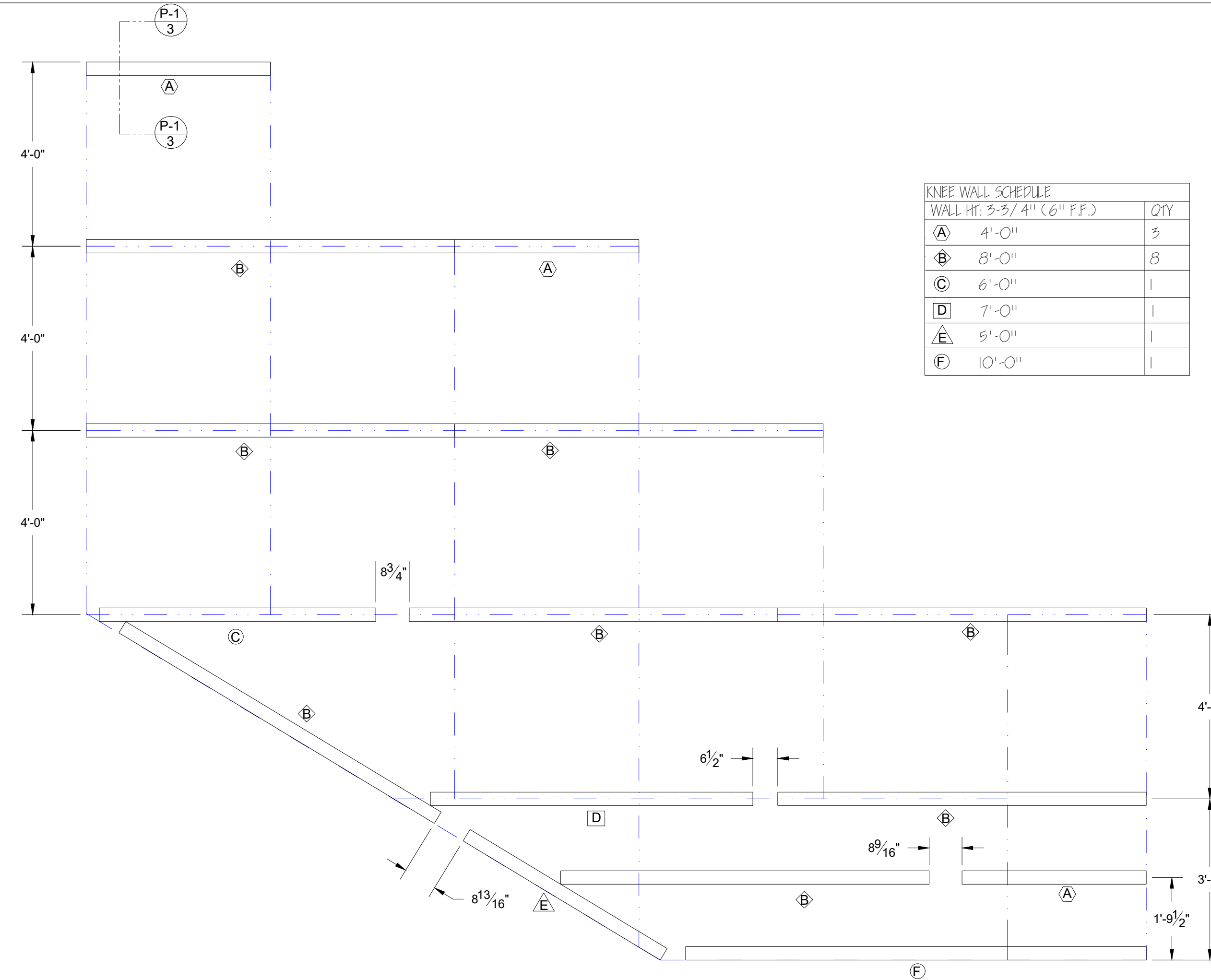
UNCLE VANYA
 THEATRE: STUDIO ONE THEATRE @ FAU
 DESIGNER: A. SOROKO
 DIRECTOR: D. GALLANT
 ISSUE DATE: 8-19-19
 AY FALL 2020

PLATE NUMBER
CVR

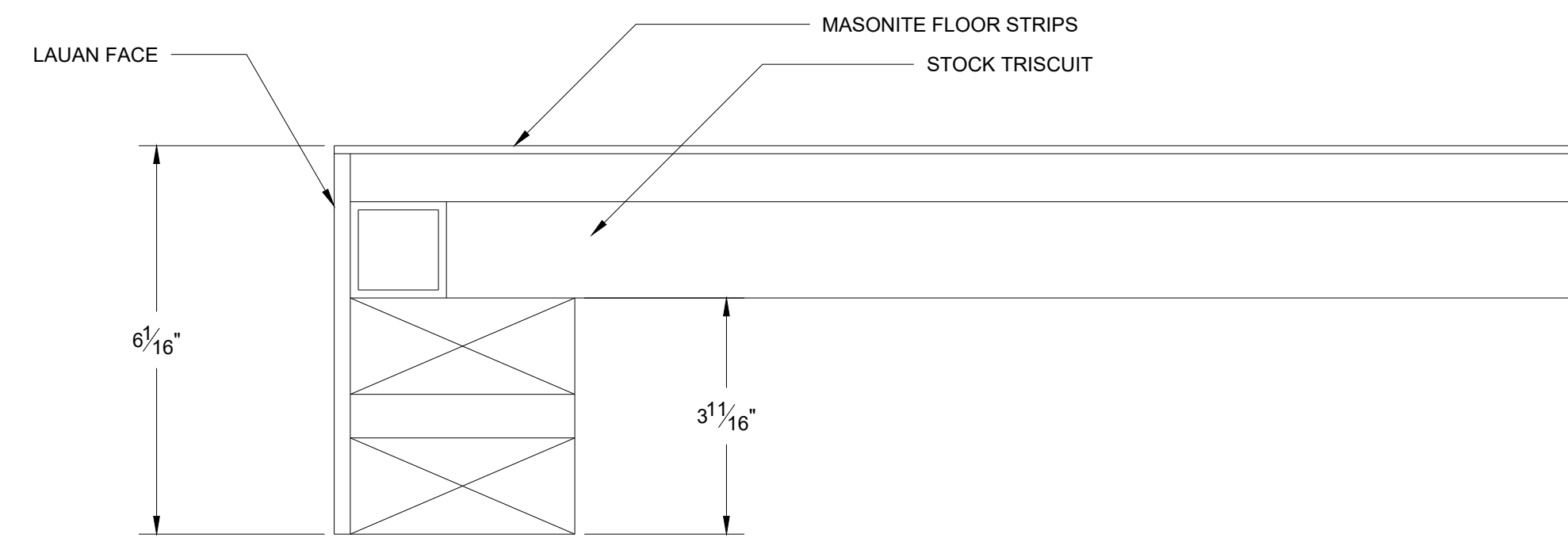
SCALE:
1/2" = 1'-0"



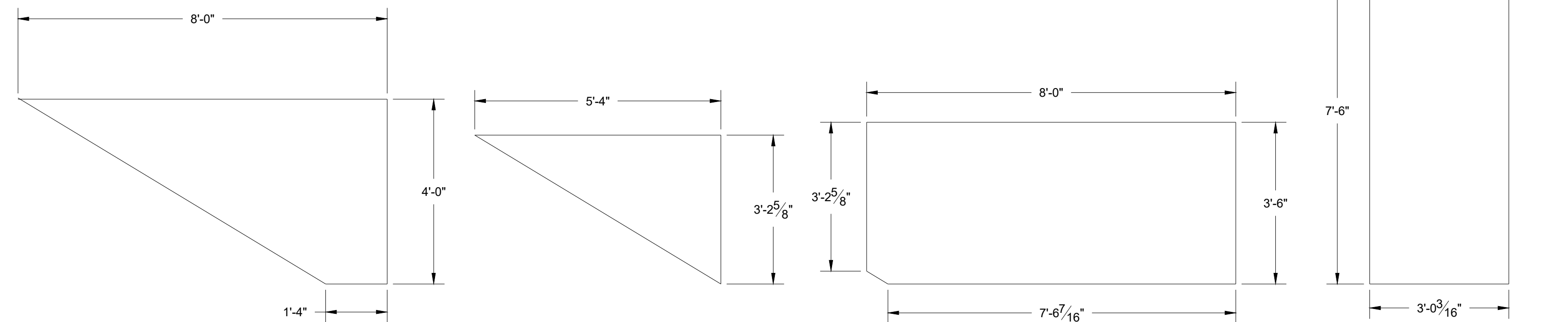
P-1 1 LOWER PLATFORM LEVEL
SEE ASSEMBLY DETAILS



P-1 2 KNEE WALL LAYOUT
NOTE SPACING



P-1 3 KNEE WALL SECTION DETAIL
DO NOT SCALE



P-1 4 LOWER PLATFORM CUSTOM LID
CUT 1

P-1 5 LOWER PLATFORM CUSTOM LID
CUT 1

P-1 6 LOWER PLATFORM CUSTOM LID
CUT 1

P-1 7 LOWER PLATFORM CUSTOM LID
CUT 1

These drawings are instruments of service and as such remain the property of the creator. No copies or reproductions are permitted without the consent of the creator. Copyright (C) 2019

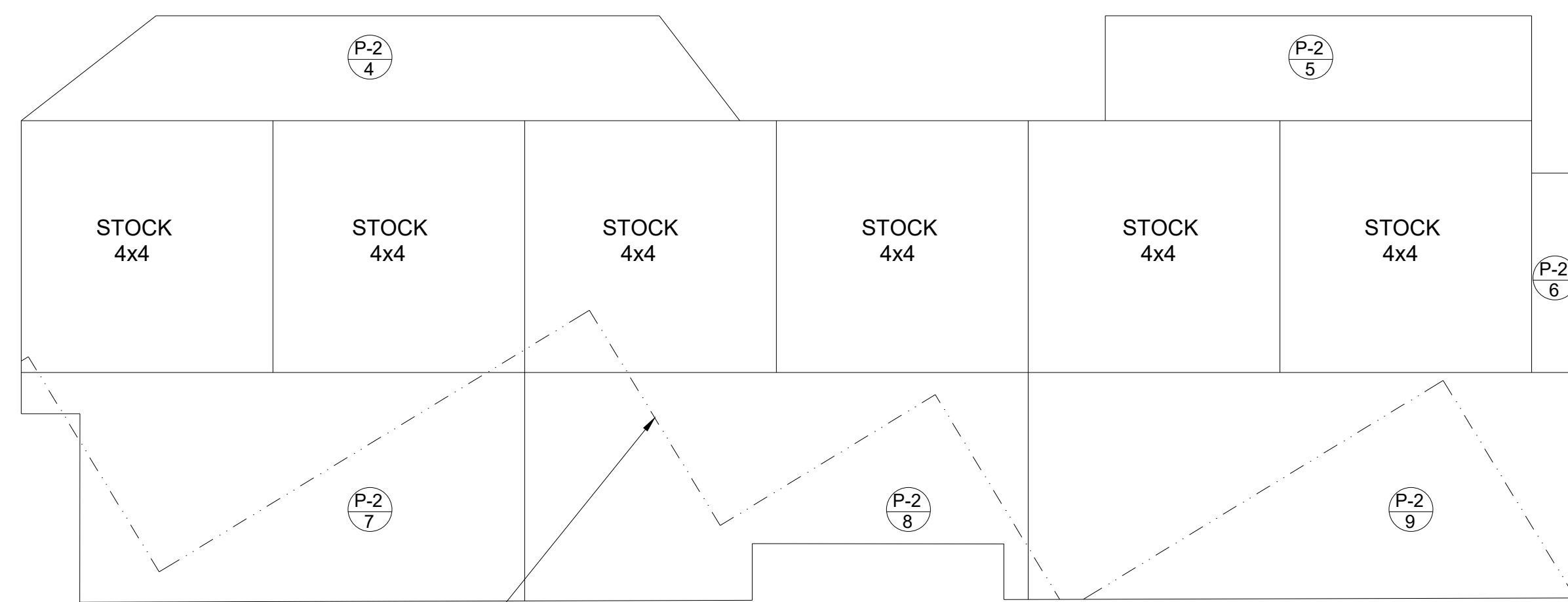
FLORIDA ATLANTIC UNIVERSITY
777 GLADES ROAD
BOCA RATON, FL 33431
PHONE: (561) 297-3810, T.D: (561) 715-9898
FAX: (561) 297-0611

MARK	DATE	REVISIONS/ISSUES
1		
2		
3		
4		
5		
6		
7		

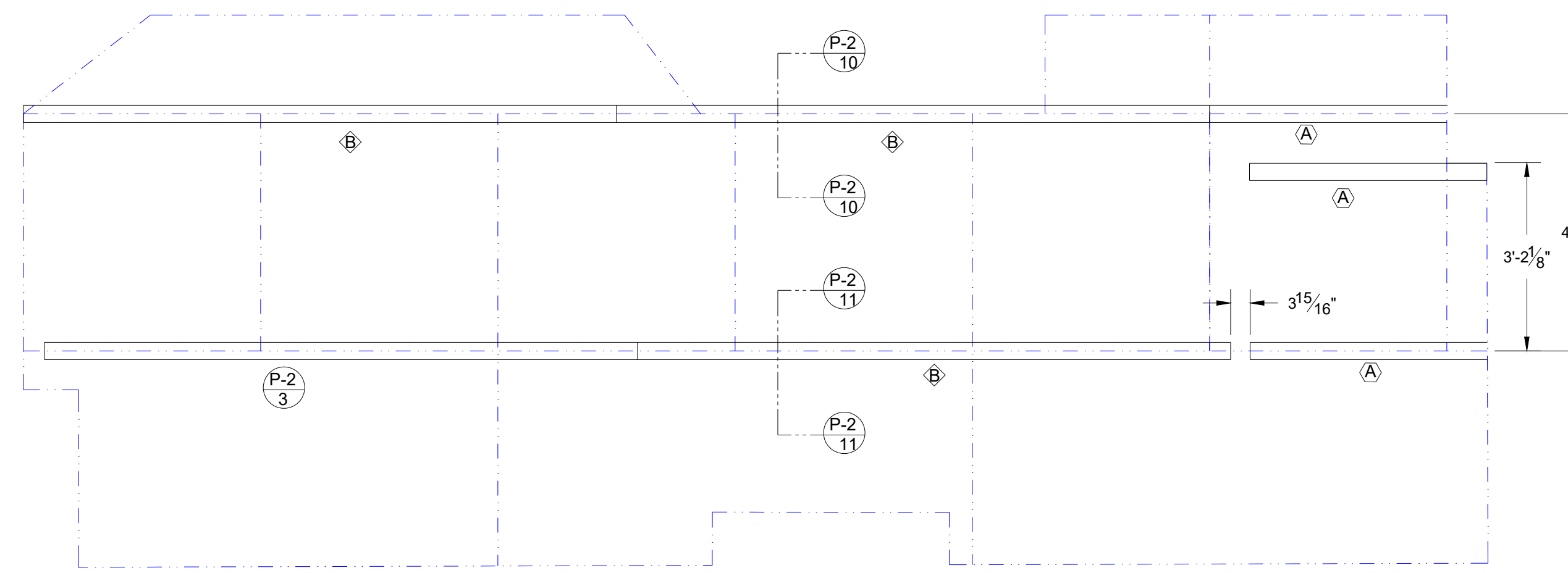
UNCLE VANYA
THEATRE: STUDIO ONE THEATRE @ FAU
DESIGNER: A. SOROKO
DIRECTOR: D. GALLANT
ISSUE DATE: 8-19-19
AY FALL 2020

PLATE NUMBER
P-1

SCALE:
1/2" = 1'-0"

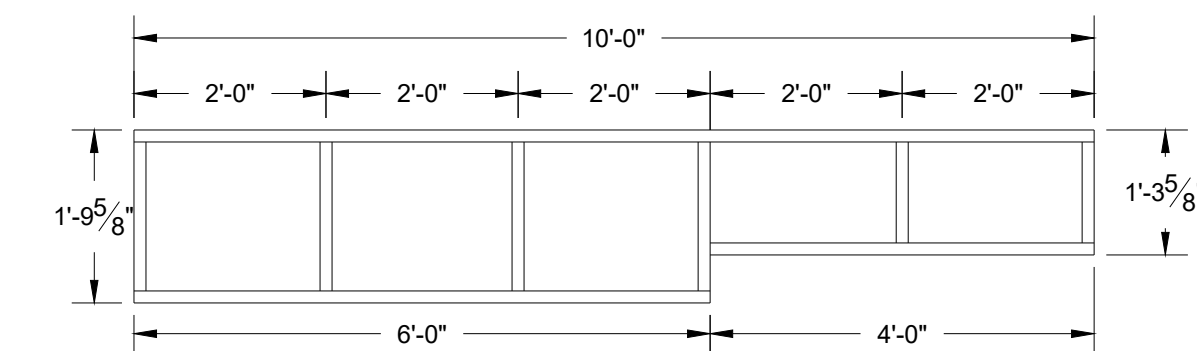


P-2 1 UPPER PLATFORM LAYOUT
SEE DETAILS

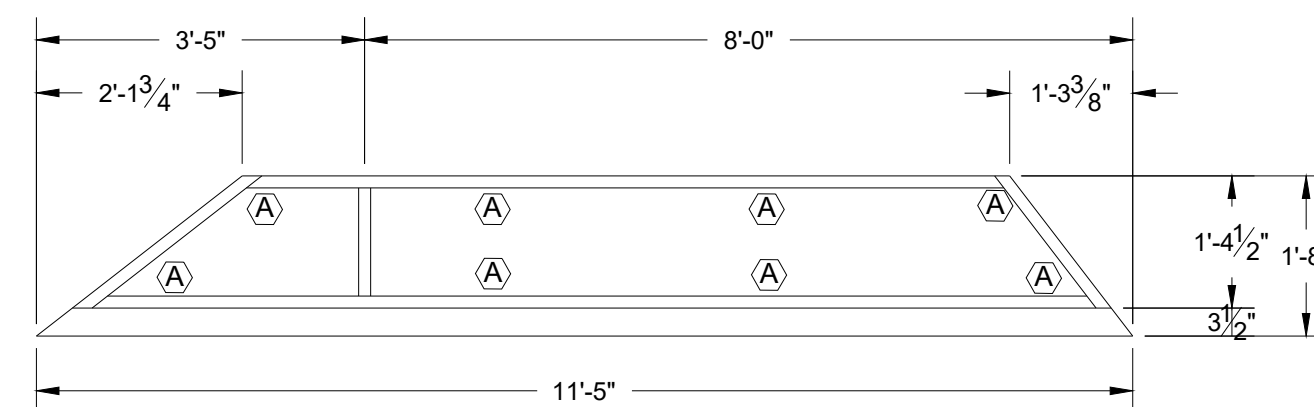


P-2 2 KNEE WALL LAYOUT
NOTE SPACING

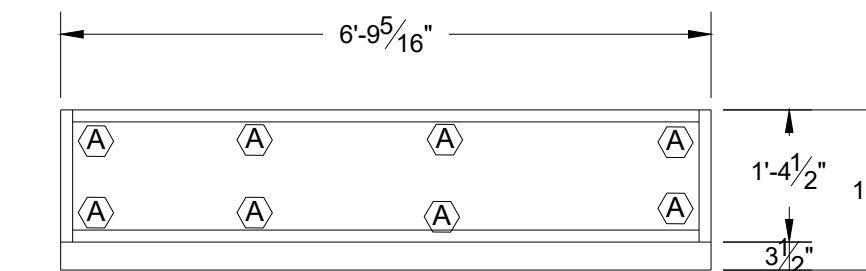
KNEE WALL SCHEDULE		
WALL HT: 1'-9 5/8" (2'-0" F.F.)	QTY	
(A) 4'-0"	5	
(B) 10'-0"	3	



P-2 3 KNEE WALL LAYOUT
NOTE SPACING



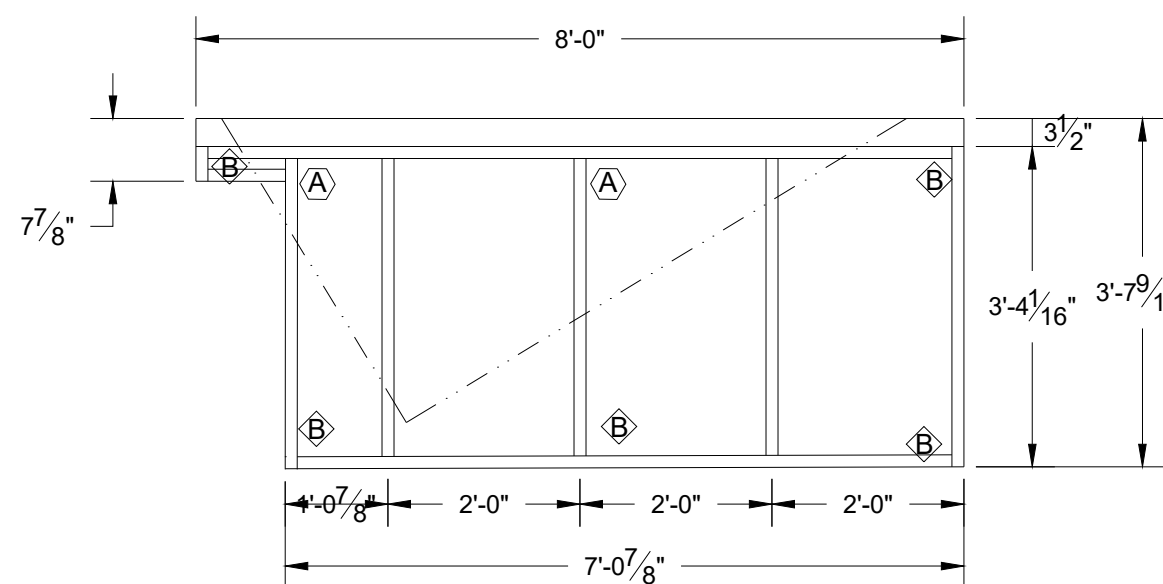
P-2 4 DINING ROOM PLATFORM
BUILD 1



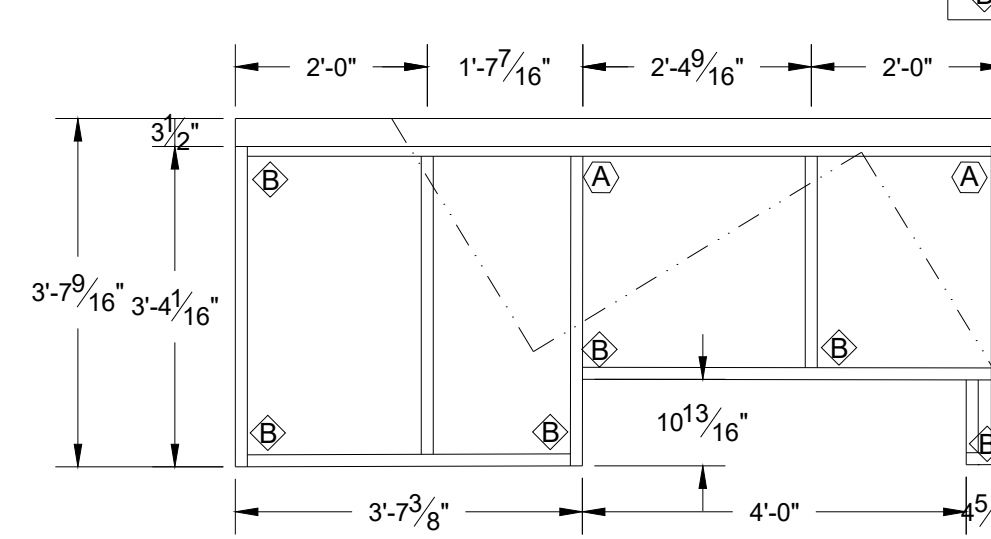
P-2 5 FRONT DOOR PLATFORM
BUILD 1

LEG SCHEDULE		
CUT AS NOTED	QTY	
(A) 1'-11 1/8"	26	
(B) 1'-5 1/8"	14	

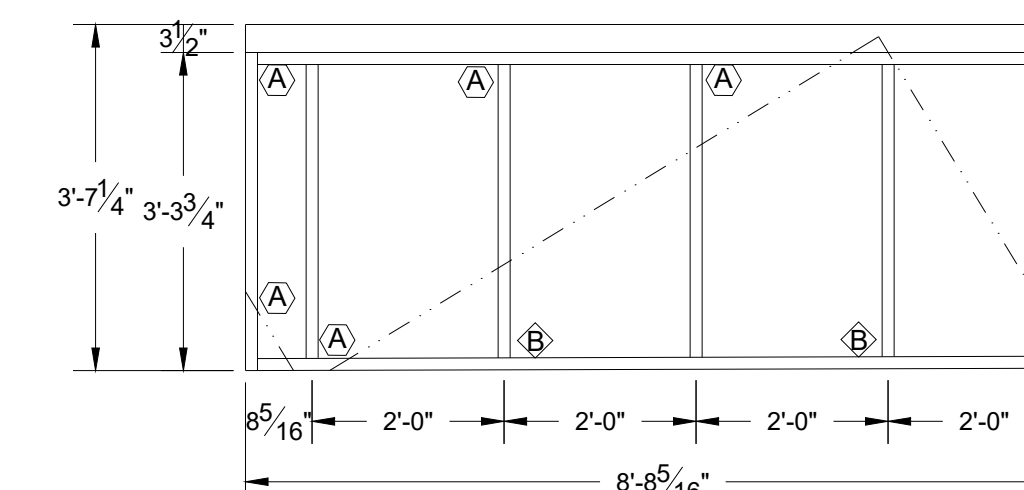
P-2 6 SIDE PLATFORM
CUT 1



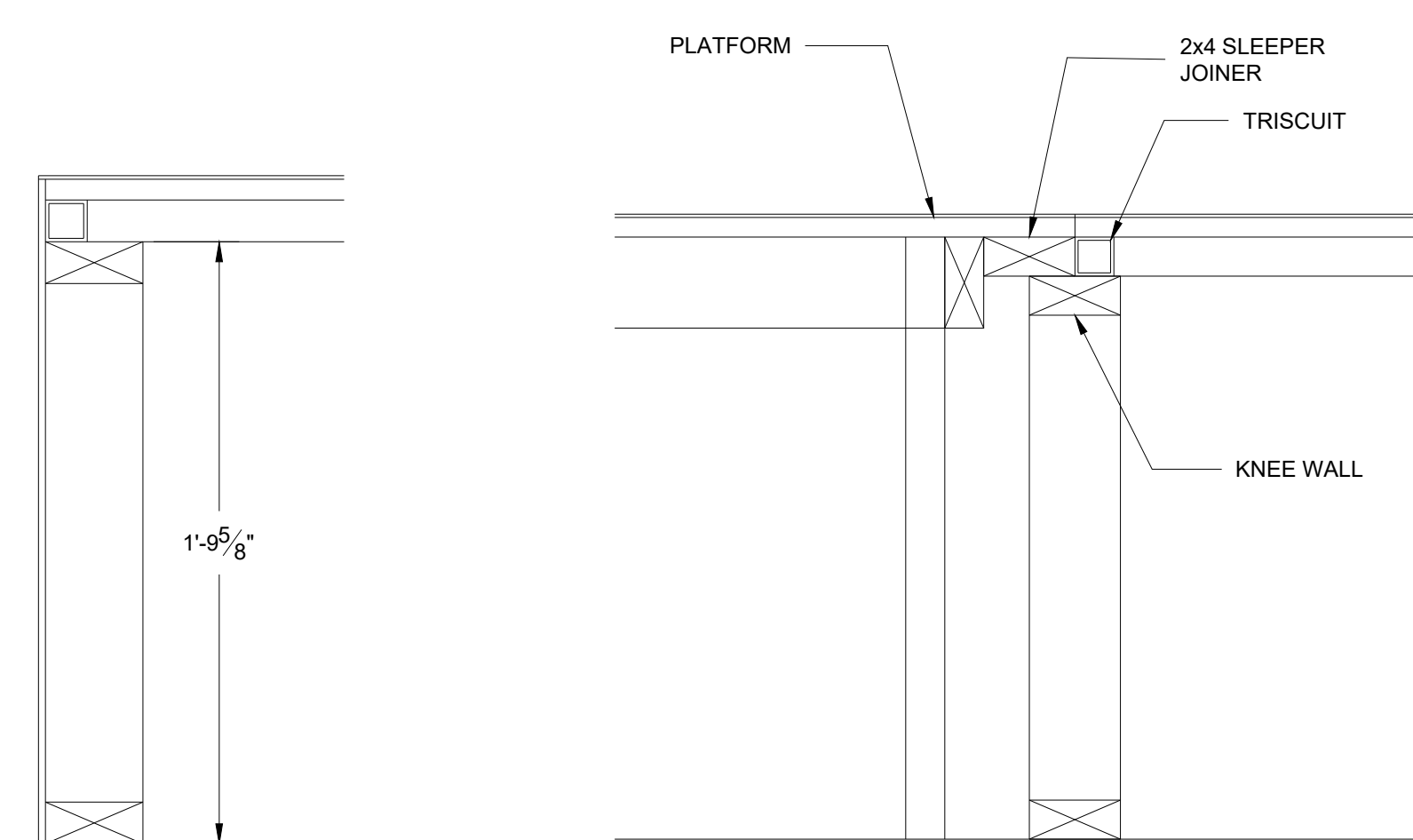
P-2 7 DR PLATFORM
BUILD 1



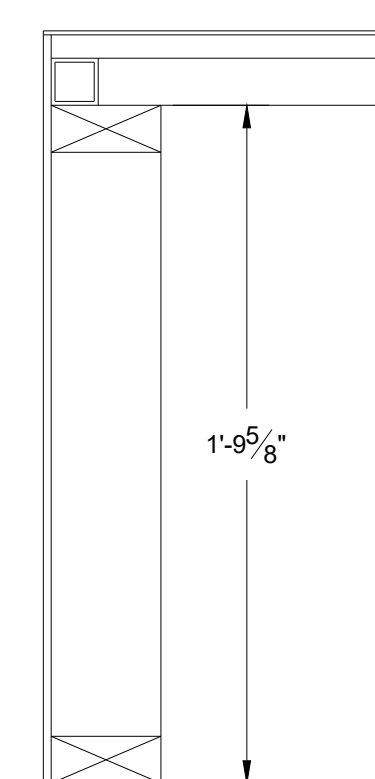
P-2 8 DC PLATFORM
BUILD 1



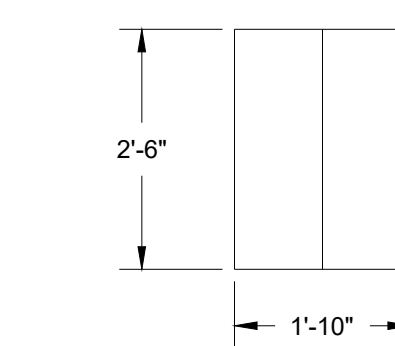
P-2 9 DL PLATFORM
BUILD 1



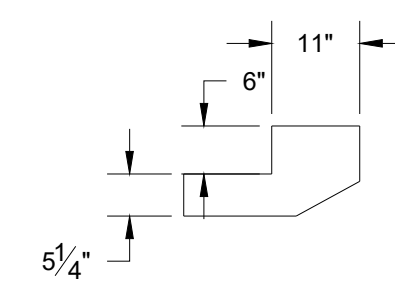
P-2 11 KNEE WALL LAYOUT
NOTE SPACING



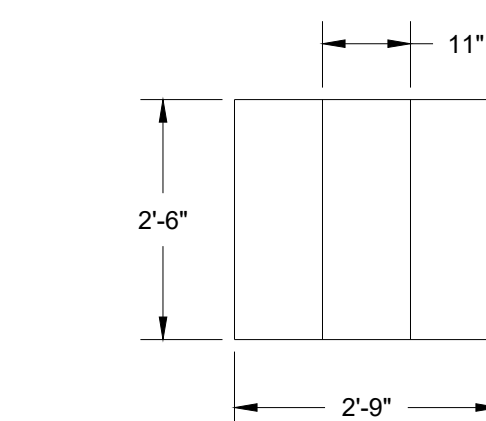
P-2 10 KNEE WALL W/ TRISCUIITS
DO NOT SCALE



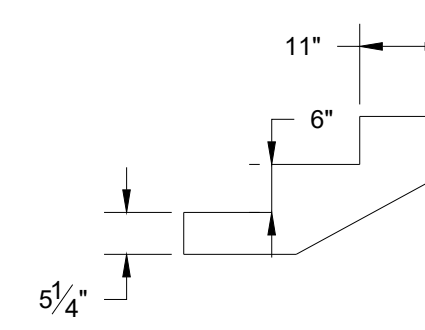
P-2 12 ESCAPE STEPS
BUILD 1 UNIT



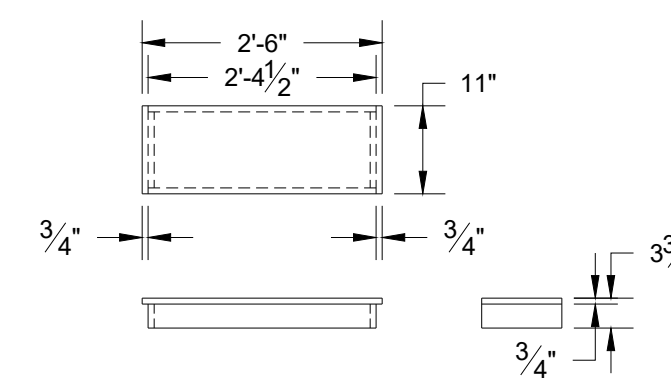
P-2 13 ESCAPE STEP CARRIAGE
BUILD 2 UNITS



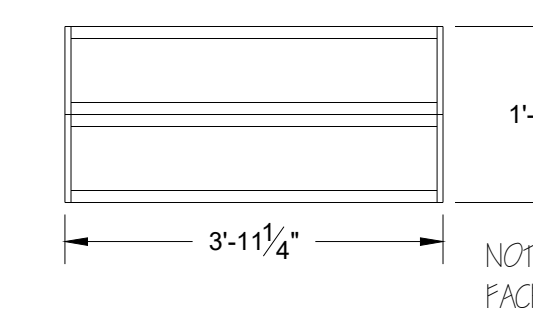
P-2 14 ESCAPE STEPS
BUILD 1 UNIT



P-2 15 ESCAPE STEP CARRIAGE
BUILD 2 UNITS

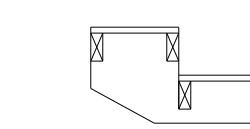
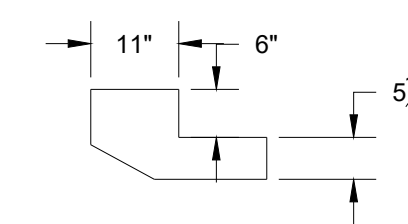


P-2 16 STOCK STAIR TREAD
BUILD 5 UNITS



P-2 17 FRONT STEP UNIT
BUILD 1

NOTE:
FACE W/ LAUAN



These drawings are instruments of service and as such remain the property of the creator. No copies or reproductions are permitted without the consent of the creator. Copyright (C) 2019

FLORIDA ATLANTIC UNIVERSITY

777 GLADES ROAD
BOCA RATON, FL 33431
PHONE: (561)297-3810, TD: (561)715-9898
FAX: (561)297-0611

REVISIONS/ISSUES

MARK	DATE	REVISIONS/ISSUES
1		
2		
3		
4		
5		
6		
7		

UNCLE VANYA

THEATRE: STUDIO ONE THEATRE @ FAU

DESIGNER: A. SOROKO

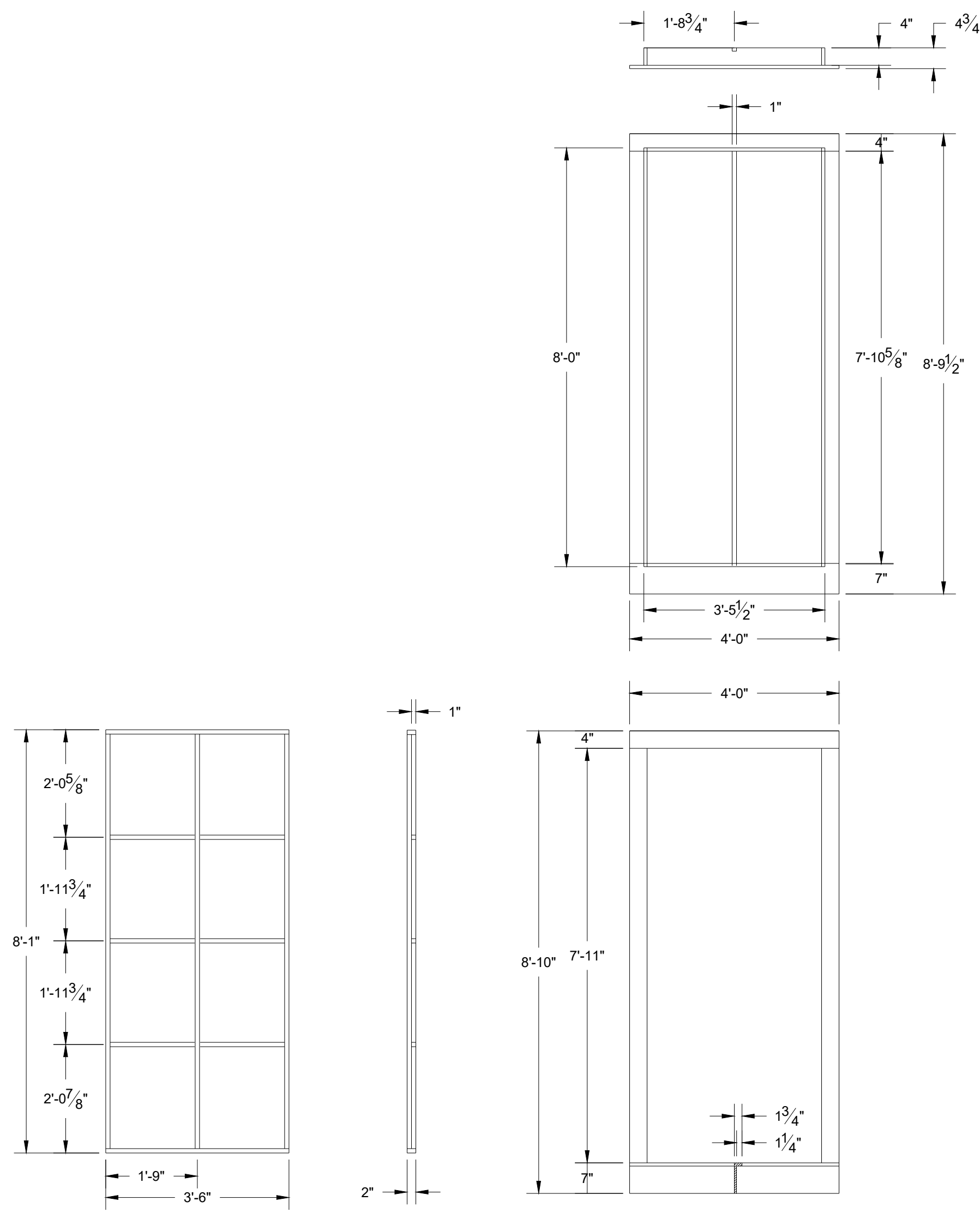
DIRECTOR: D. GALLANT

ISSUE DATE: 8-19-19

AY FALL 2020

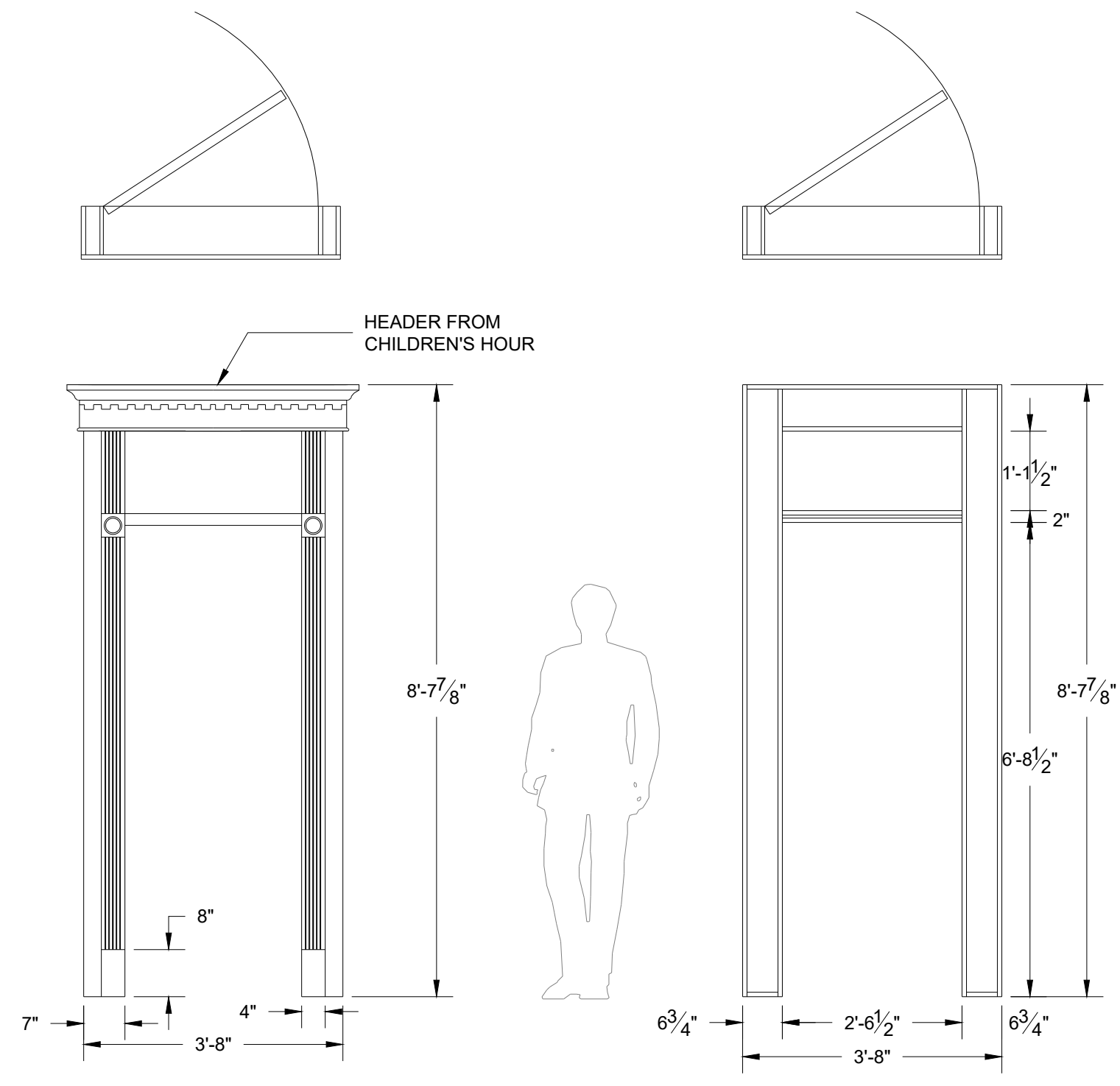
SCALE: 1/2" = 1'-0"

PLATE NUMBER
P-2



F-1 1 WINDOW UNIT
BUILD 1 UNIT 2x1 AND 1x1 STEEL

F-1 2 WINDOW UNIT COVER
COVER 1/2" SANDEE PLY



F-1 3 DOOR UNIT
BUILD 1 UNIT

F-1 4 DOOR FRAME
BUILD 1 3/4" SANDEE PLY

F-1 5 TRANSOM FRAME
BUILD 1 1x WOOD STOCK

These drawings are instruments of service and as such remain the property of the creator. No copies or reproductions are permitted without the consent of the creator. Copyright (C) 2019

FLORIDA ATLANTIC UNIVERSITY
777 GLADES ROAD
BOCA RATON, FL 33431
PHONE: (561) 297-3810, TD: (561) 715-9898
FAX: (561) 297-0611

MARK	DATE	REVISIONS/ISSUES
1	8-25-19	DOORWAY REVISED FOR STOCK DOOR
2		
3		
4		
5		
6		
7		

UNCLE VANYA
THEATRE: STUDIO ONE THEATRE @ FAU
DESIGNER: A. SOROKO
DIRECTOR: D. GALLANT
ISSUE DATE: 8-19-19
AY FALL 2020

PLATE NUMBER
F-1

SCALE:
1/2" = 1'-0"